

FLEXIROC T35 & T40

Surface drill rigs for quarrying
and construction

FlexiROC T35

Hole diameter: 64 – 115 mm (2 1/2" – 4 1/2")

FlexiROC T40

Hole diameter: 76 – 127 mm (3" – 5")

Atlas Copco

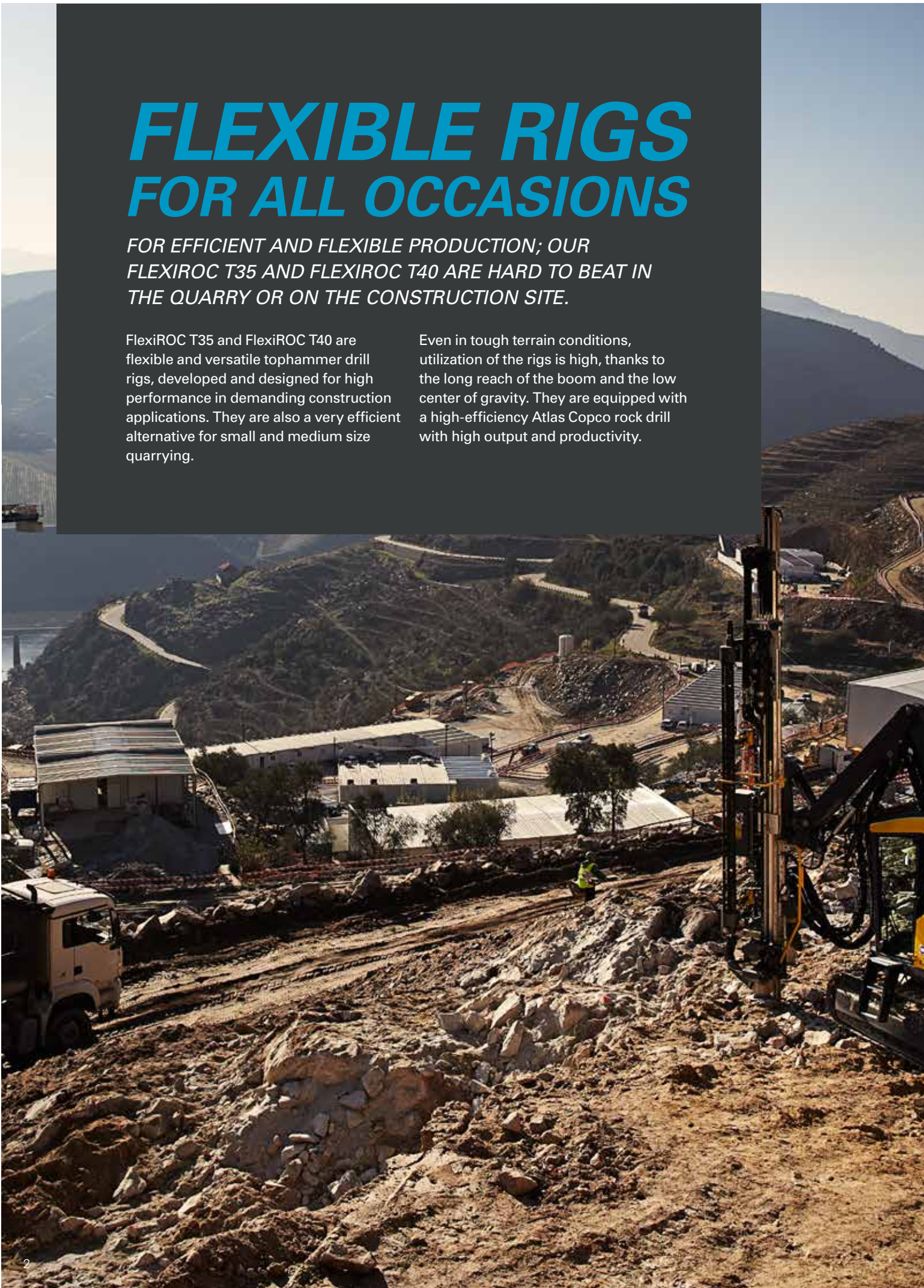


FLEXIBLE RIGS FOR ALL OCCASIONS

*FOR EFFICIENT AND FLEXIBLE PRODUCTION; OUR
FLEXIROC T35 AND FLEXIROC T40 ARE HARD TO BEAT IN
THE QUARRY OR ON THE CONSTRUCTION SITE.*

FlexiROC T35 and FlexiROC T40 are flexible and versatile tophammer drill rigs, developed and designed for high performance in demanding construction applications. They are also a very efficient alternative for small and medium size quarrying.

Even in tough terrain conditions, utilization of the rigs is high, thanks to the long reach of the boom and the low center of gravity. They are equipped with a high-efficiency Atlas Copco rock drill with high output and productivity.





+ *MAIN BENEFITS*

Optimal use of rock drill and increased tool life thanks to a cylinder-operated feed system

Long boom reach is ideal for demanding construction jobs

Supreme productivity thanks to proven COP rock drill series

TOUGH AND DEPENDABLE

THESE RIGS ARE BUILT ATLAS COPCO SOLID. THANKS TO A HIGH DEGREE OF COMMONALITY WITH OTHER ATLAS COPCO SURFACE DRILL RIGS AND A WORLD-WIDE SERVICE NETWORK, SPARE PARTS AND CONSUMABLES ARE THERE WHEN YOU NEED THEM TO INSURE CONTINUOUS UPTIME AND GREAT PERFORMANCE.



+ FLEXIBLE AND EFFICIENT ROCK DRILL

COP rock drill has an easy changeable stroke setting that makes it easy to change the frequency of the rock drill so it drills efficiently in different rock conditions. This together with its double dampening system makes it a highly efficient machine in different kinds of rock. The double dampening system also minimizes the wear of the drill strings which reduces cost.



+ PROVEN DESIGN

FlexiROC T35 and FlexiROC T40 have a validated design since they are based on the well-known ROC D7 and ROC D9. These rigs have provided sustainable results under many years and they have satisfied customers all around the globe.



+ SAFETY

The ROPS and FOPS approved cabins provide both comfort and safety. Reliable and fast rod handling makes work go fast and smooth and a rigid drill steel support decreases hole deviation for more accurate and higher quality holes. Maintenance is convenient as well, thanks to an efficient design. When there's work to be done, your FlexiROC T35 and FlexiROC T40 will deliver.

ATLAS COPCO SERVICE

Even the best equipment requires regular service to ensure optimal performance. Atlas Copco provides service solutions to safeguard an optimized relationship between productivity, availability and operational cost. Atlas Copco Mining and Rock Excavation Technique has over 3 300 technicians located in over 80 countries. By combining the usage of Atlas Copco genuine parts with service provided by a certified Atlas Copco technician, you'll have a winning combination no matter of where in the world you operate.



MAIN COMPONENTS

- Track frames with single grouser pads and cleaning holes
- Hydraulic track oscillation and two speed traction
- Atlas Copco screw type compressor
- Operator's cabin, ROPS and FOPS approved
- LED work lights
- Folding boom system
- Aluminum profile feed beam
- Hydraulic cylinder feed system
- Carousel type rod handling system, 1 + 7 rods
- Hydraulic rock drill
- Dust collection system
- Dust pre separator
- Double hydraulic drill steel support with movable down support
- Service lamp inside canopy
- Rock drill oil collecting system
- Rubber skirt for DCT
- COP Logic

HOLE RANGE

FlexiROC T35 and T35-LF	T38, T45, T51	64–115 mm	2 ½" – 4 ½"
FlexiROC T40	T45, T51	76–127 mm	3" – 5"
Hydraulic rod handling system for max hole depth, with 3,6 m (12') extension rods			
FlexiROC T35	T38, T45, T51	28 m	92'
FlexiROC T40	T45, T51	28 m	92'
Hydraulic rod adding system for max hole depth, with 6,1 m + 4,2 m (20' + 14')			
FlexiROC T35 -LF	T38, T45, T51	10 m	33'

ENGINE

Caterpillar turbo charged, diesel engine, CAT C7.1, 3/EU Stage IIIA and Tier 4 Final/EU stage IV with AdBlue	Metric	Imperial
Power rating at 2200 rpm	168 kW	225 HP

HYDRAULIC ROCK DRILL

Rock drill	Drill rig	Impact power		Hydraulic pressure, max		Impact rate, max	Torque, max		Weight approx	
COP 1840+	FlexiROC T35	20 kW	26.8 hp	230 bar	3 335 psi	42–50 Hz	1180 Nm	870 lbf/ft	175 kg	385 lb
COP 1840EX+		23 kW	30.8 hp	230 bar	3 335 psi	55–70 Hz	1180 Nm	870 lbf/ft	230 kg	507 lb
COP 2540+									175 kg	385 lb
COP 2540EX+	FlexiROC T40	25 kW	33.5 hp	230 bar	3 335 psi	44–53 Hz	1810 Nm	1335 lbf/ft	230 kg	507 lb
COP 2560+									187 kg	412 lb
COP 2560EX+									249 kg	549 lb

FEED

	FlexiROC T35		FlexiROC T40		FlexiROC T35-LF	
	Metric	Imperial	Metric	Imperial	Metric	Imperial
Feed extension	1 400 mm	4'7"	1 400 mm	4'7"	1 400 mm	4'7"
Feed rate, max	0.92 m/s	184 ft/min	0.92 m/s	184 ft/min	0.92 m/s	184 ft/min
Feed force, max	20 kN	4 400 lbf	20 kN	4 400 lbf	20 kN	4 400 lbf
Tractive pull, max	20 kN	4 400 lbf	20 kN	4 400 lbf	20 kN	4 400 lbf
Total length	7 140 mm	23'5"	7 140 mm	23'5"	8 240 mm	27'7"
Travel length	4 240 mm	14'	4 240 mm	14'	8 670 mm	18'7"

COMPRESSOR

	FlexiROC T35		FlexiROC T40		FlexiROC T35-LF	
	Metric	Imperial	Metric	Imperial	Metric	Imperial
Atlas Copco OIS K-27-C106 GD, screw compressor						
Working pressure, max	10.5 bar	152 psi	10.5 bar	152 psi	10.5 bar	152 psi
FAD, at normal working pressure	127 l/s	270 cfm	149 l/s	316 cfm	127 l/s	270 cfm

HYDRAULIC SYSTEM

	Metric	Imperial
Hydraulic oil cooler		
Max ambient temperature	50°C	122°F
Return and drainage filters		
Filtration rate	16 µm absolute	

VOLUMES

	Metric	Imperial
Hydraulic oil tank	250 l	65 US gal
Hydraulic system, total	300 l	79 US gal
Compressor oil	24 l	6.3 US gal
Diesel engine oil	28 l	7.4 US gal
Diesel engine, cooling water	35 l	9.2 US gal
Diesel engine, fuel tank	370 l	98 US gal
Traction gear	3 l	0.8 US gal
Lubrication tank (ECL)	10 l	2.6 US gal

ELECTRICAL SYSTEM

Voltage	24 V
Batteries	2 x 12 V, 185 Ah
Alternator	28 V, 95 Ah
Work lights, front	4 x 70 W
Work lights, rear	2 x 70 W
Work lights, feed	2 x 70 W
Warning lamp and reverse buzzer	

DUST COLLECTOR DCT 200

	Metric	Imperial
Filter area	11 m ²	118 sq.ft
Number of filter elements	11 pcs	11 pcs
Suction capacity at 500 mm wg	560 l/s	1 200 cfm
Suction hose diam	127 mm	5"
Cleaning air pressure, max	7.5 bar	109 psi
Cleaning air consumption	2– 4 l/pulse	0.06–0.12 cu.ft/pulse

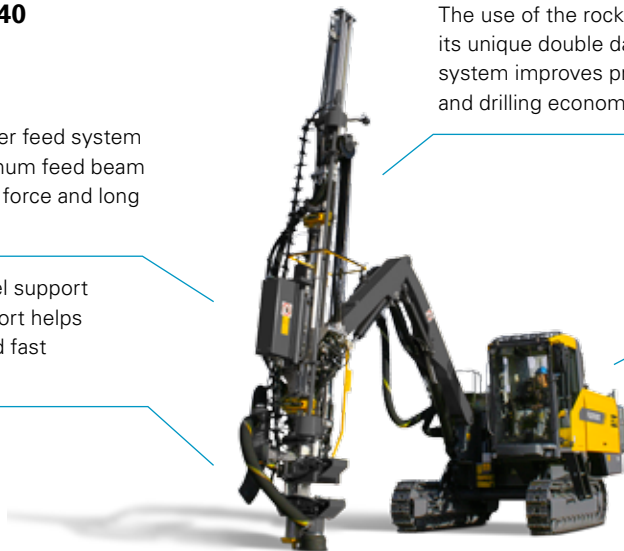
FlexiROC T35 and T40

Hydraulic cylinder feed system with rigid aluminum feed beam for precise feed force and long drill steel life.

Hydraulic double drill steel support with movable lower support helps achieve straight holes and fast collaring.

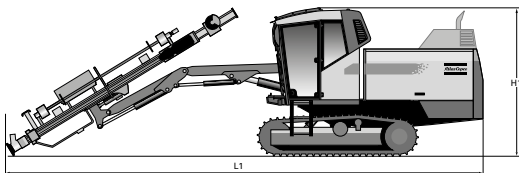
The use of the rock drill with its unique double dampening system improves productivity and drilling economy.

The cabin is ROPS and FOPS approved and has a protective plate under the cabin. A reinforced front window is also available for the highest level of safety.

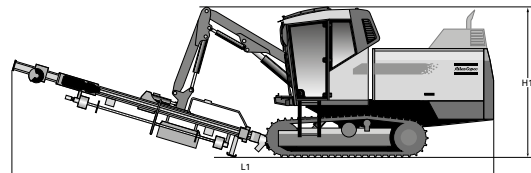


HEIGHT, LENGTH AND WEIGHT

	FlexiROC T35		FlexiROC T40		FlexiROC T35 -LF	
	Metric	Imperial	Metric	Imperial	Metric	Imperial
Feed dumped 1						
Height	3 200 mm	10'6"	3 200 mm	10'6"	3 250 mm	10'8"
Length	11 600 mm	38'1"	11 600 mm	38'1"	12 200 mm	40'
Feed dumped 2						
Height	3 500 mm	11'6"	3 500 mm	11' 6"	3 500 mm	11' 6"
Length	11 000 mm	36'1"	11 000 mm	36' 1"	11 970 mm	38' 8"
Weight						
	Metric	Imperial	Metric	Imperial	Metric	Imperial
	15 500 kg	34 170 lbs	15 500 kg	34 170 lbs	15 350 kg	33 840 lbs



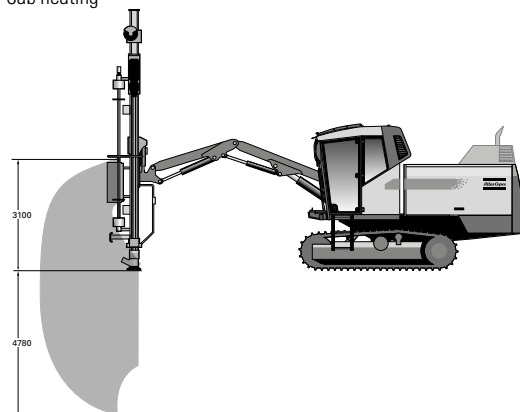
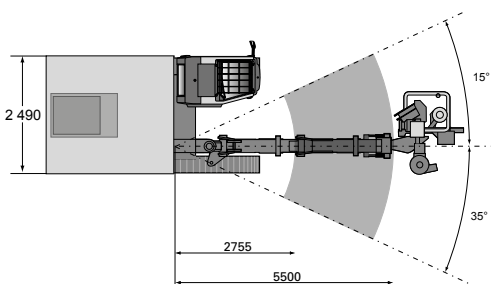
Feed dumped 1



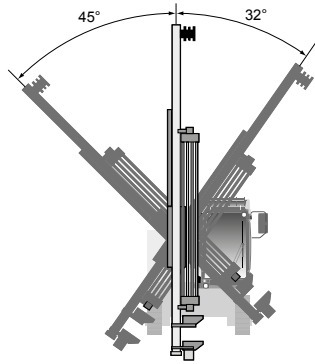
Feed dumped 2

SAFETY CABIN

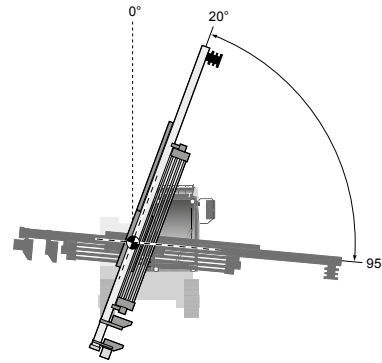
- ROPS and FOPS approved with rubber vibration dampers
- 2 x wipers with washer
- Clear laminated glass (10 mm front and roof windows)
- Clear laminated glass (8 mm side window)
- Clear toughened glass (8mm rear window)
- Fully adjustable operator's seat
- Cabin light
- Rig inclination indicator
- Rear view mirror
- Fire extinguisher, 6 kg (13 lbs) dry chemical type ABE class III type
- Outlet socket, 24 V
- Prepared with speakers for CD-radio or DVD radio
- Combined front mounted platform/tool box
- Electrical heated chair
- Cab heating



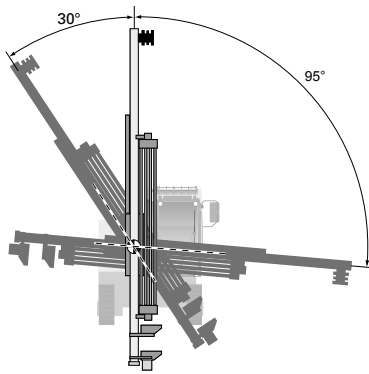
Vertical reach (mm)



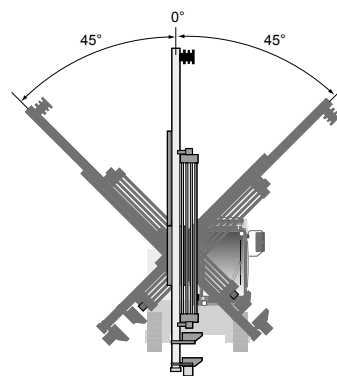
Feed without toe-hole kit



Feed without toe-hole kit but after reconnection for horizontal feed.



Feed with toe-hole kit (optional)



FlexiROC T35-LF

SELECTION OF OPTIONS

Cabin

- Window panes: Laminated 24 mm clear front, 10 mm roof and 8 mm tinted side – toughend 8 mm rear
- Tinted 10 mm roof window
- Window wiper, right hand window
- Sun shade kit (rear side, rear windows and roof)
- Electric heated operator's seat
- Reverse camera with cab mounted display
- Radio with CD player
- Camera for support leg

Carrier

- Hydraulic support leg
- Hydraulic winch including wire with towing eye and wire guides
- Diesel-driven engine heater
- Electric fuel filling system
- Tow hook
- Track chains with triple grouser pads
- Rubber disc for DCT
- PAR Oil M & S
- Central lubrication system
- Tool box left rear side
- Extra air outlet on front of the carrier
- Xenon work lights
- Air flow switch

Feed

- Protective guard, according to EN16228
- Bigger Dowel with big plate to avoid sinking in soft ground
- TAC guide tube guides for drill steel support
 - TAC 56 mm for 56 mm guide tube
 - TAC 64 mm for 64 mm guide tube
 - TAC 76 mm for 76 mm guide tube
 - TAC 87 mm for 87 mm guide tube

- Support bracket RHS carousel
- Thread greasing device ECG (with oil)
- Thread greasing device, brush type (with grease)
- Sleeve retainer

Water system

- Complete water mist system 120 l tank

Hole and inclination systems

- Hole inclination/depth instrument HQS11
- Laser plane receiver for hole depth HQS12
- GPS compass aiming unit
- Mechanical hole inclination instrument ROC angle

Parts and Services

- COP Care
- ROC Care

Optional equipment not mounted

- Gas charging equipment for rock drill
- First 50 hours service kit for compressor
- Lubrication system
- Conversion kit T45
- Conversion kit T51

COMMITTED TO SUSTAINABLE PRODUCTIVITY

We stand by our responsibilities towards our customers,
towards the environment and the people around us.
We make performance stand the test of time.
This is what we call – Sustainable Productivity.

www.atlascopco.com

Atlas Copco