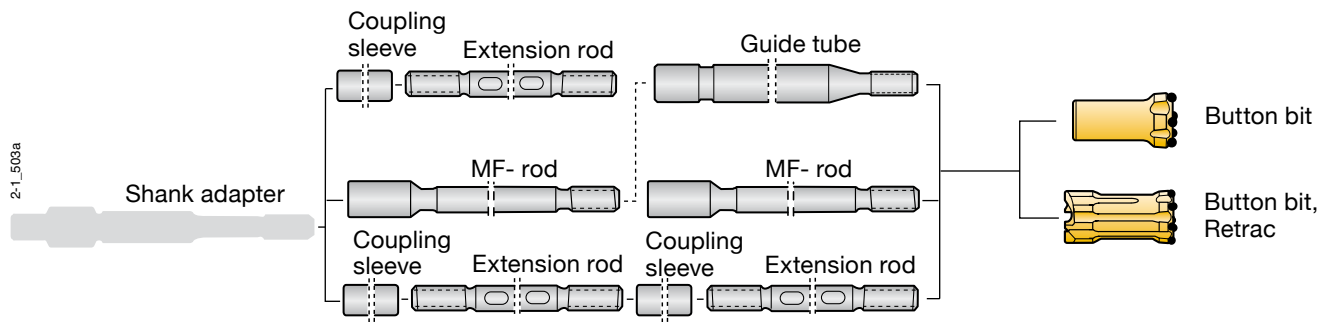


Bench drilling

T51 (2")



	Flushinghole, mm		Buttons, mm			Dimensions		Bit classification	Part No.
	Front No	Gauge Size	Front No	Gauge Size	Angle	D mm	in		
Button bit	3x12	—	6x10	9x11	35°	89	3 1/2"	HMCAN	7516-2689-S45
	3x12	—	6x12	9x12	35°	102	4"	HMCAN	7516-2602-S45
	3x12	—	9x12	9x13	35°	115	4 1/2"	HMCAN	7516-2615-S45
	3x13	—	9x13	9x14	35°	127	5"	HMCAN	7516-2627-S45

Button bit, Drop Center	4x10	—	6x11	8x12	35°	89	3 1/2"	MCAN	7516-5989-S45
	4x10	—	7x11	8x12	40°	89	3 1/2"	SCAN	7516-5989-R55
	4x11	—	7x12	8x13	35°	102	4"	MCAN	7516-5902-S45
	4x11	—	7x12	8x13	40°	102	4"	SCAN	7516-5902-R55
	4x10	—	7x13	8x14	35°	115	4 1/2"	MCAN	7516-5915-S45
	4x10	—	7x14	8x14	35°	127	5"	MCAN	7516-5927-S45

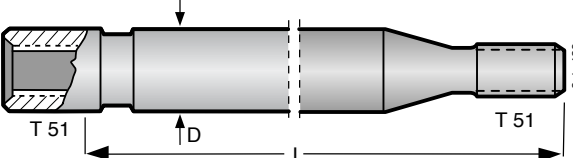
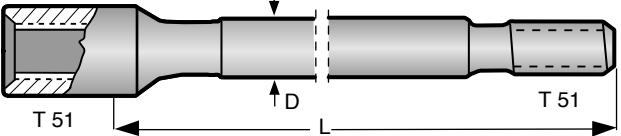
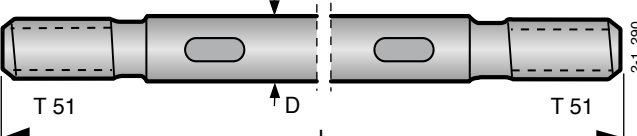
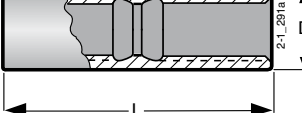
Button bit, Retrac	3x12	—	6x10	9x11	35°	89	3 1/2"	HMCFAV	7516-7889-S45
	3x12	—	6x10	9x11	40°	89	3 1/2"	MSCFAV	7516-7889-R55
	3x12	—	6x12	9x12	35°	102	4"	HMCFAV	7516-7802-S45
	3x12	—	9x12	9x13	35°	115	4 1/2"	HMCFAV	7516-7815-S45

Button bit, Retrac, Drop Center	4x10	—	6x11	8x12	35°	89	3 1/2"	MCFAN	7516-7989-S45
	4x10	—	7x11	8x12	40°	89	3 1/2"	SCFAN	7516-7989-R55
	4x11	—	7x12	8x13	35°	102	4"	MCFAN	7516-7902-S45
	4x11	—	7x12	8x13	40°	102	4"	SCFAN	7516-7902-R55
	4x10	—	7x13	8x14	35°	115	4 1/2"	MCFAN	7516-7915-S45
	4x11	—	7x13	8x14	40°	115	4 1/2"	SCFAN	7516-7915-R55
	4x10	—	7x14	8x14	35°	127	5"	MCFAN	7516-7927-S45

Button bit, Retrac, Flat face	3x14	—	9x11	9x11	35°	102	4"	HMSCFVA	7516-4902-S45
	3x15	—	10x12	9x14	35°	115	4 1/2"	HMSCFVA	7516-4915-S45
	3x14	—	10x13	9x14	35°	127	5"	HMSCFVA	7516-4927-S45

Bench drilling

T51 (2")

	Dimensions				D		Part No.
	L	ft	in	mm	in		
Guide tube							
 <p>Thread Bit dia. mm</p>	89-102	1830	6'	–	76	3"	7957-7618-20
	89-102	3660	12'	–	76	3"	7957-7637-70
	102-127	3660	12'	–	87	3 1/2"	7957-8737-70
Female end OD 76 / 87 mm.							
MF-rod, T51 - Round 52 - T51							
	3660	12'	–	52	2"	7326-5537-70	
	4265	14'	–	52	2"	7326-5543-70	
	6095	20'	–	52	2"	7326-5561-70	
Flushing hole Ø 21.5 mm. Female end OD 71 mm.							
Extension rod, T51 - Round 52 - T51							
	3660	12'	–	52	2"	7326-5337C-30	
	4265	14'	–	52	2"	7326-5343C-30	
	6095	20'	–	52	2"	7326-5361C-30	
Flushing hole Ø 21.5 mm. Wrench flat 45 mm.							
Coupling sleeve, T51							
	225	–	8 7/8"	71	2 51/64"	7316-3671	
	225	–	8 7/8"	76	3"	7316-3676	